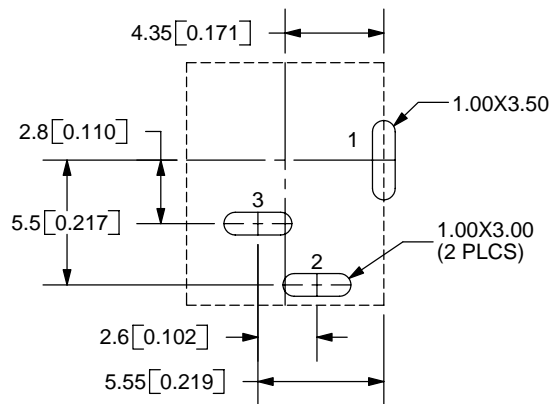
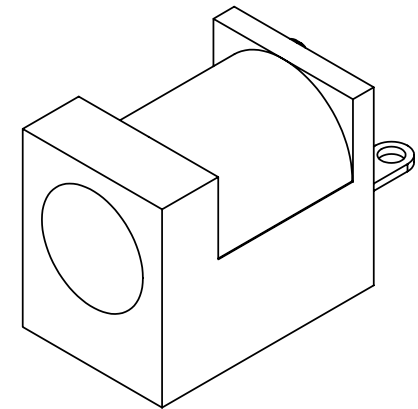
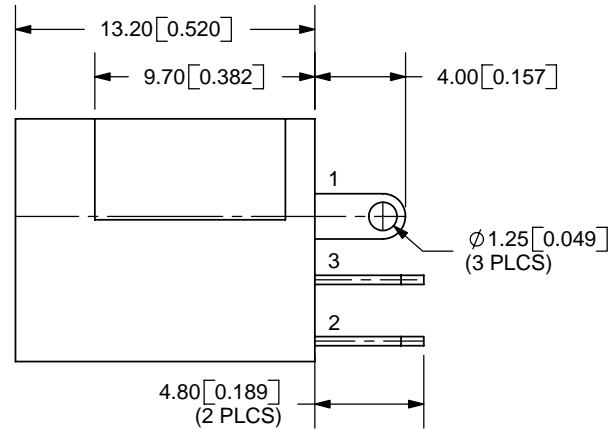
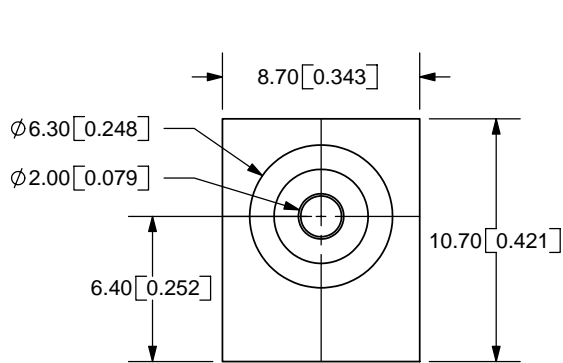


REV.	DESCRIPTION	DATE
A	NEW DRAWING	5/17/2006



PCB LAYOUT  
BACK VIEW

MODEL NO.	PJ-006A
SCHEMATIC	

CENTER PIN DIAMETER 2.0mm

**SPECIFICATIONS:**

RATING: 16V DC @ 2A  
 CONTACT RESISTANCE: 30m OHMS MAX  
 INSULATION RESISTANCE: 100M OHMS MIN: 500V DC  
 VOLTAGE WITHSTAND: 500V AC R.M.S. FOR 1 MINUTE  
 LIFE: 5,000 CYCLES

	MATERIAL	PLATING
CENTER PIN	Copper	Nickel
TERMINAL 1	Brass	Silver
TERMINAL 2	Phosphor Bronze	Silver
TERMINAL 3	Brass	Silver
HOUSING	PBT	

TOLERANCE:  
±0.3mm UNLESS OTHERWISE  
SPECIFIED



9615 SW Allen Blvd., Ste. 103  
 Beaverton, OR 97005  
 Phone: 503-643-3899  
 800-275-4899  
 Fax: 503-372-1266  
 Website: www.cui.com

TITLE: DC POWER JACK	REV: A
PART NO. PJ-006A	UNITS: MM [INCHES]
DRAWN BY: ZRJ	APPROVED BY:
	SCALE: 3:1

PC FILE NAME:  
PJ-006A

COPYRIGHT 2006 BY CUI INC.